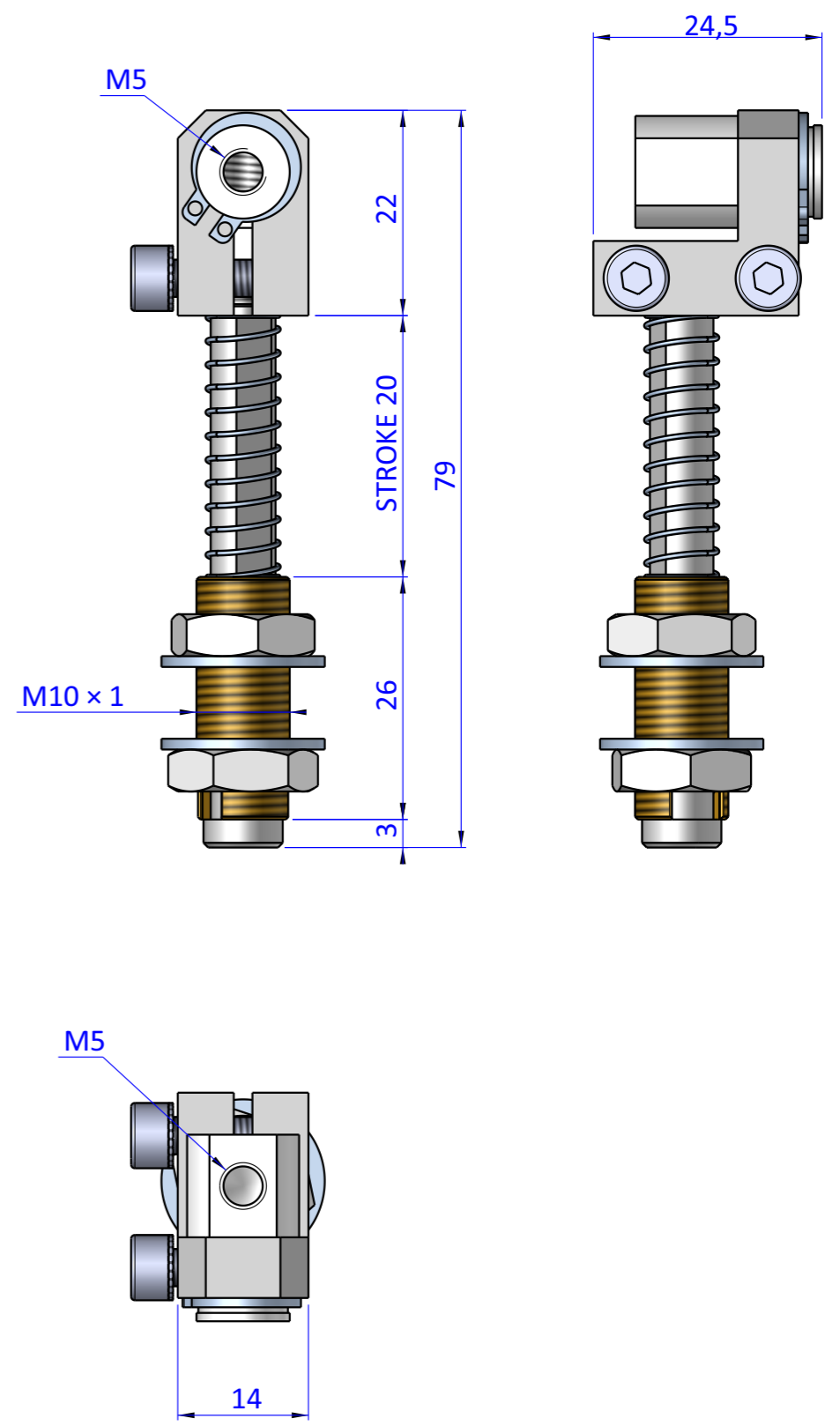
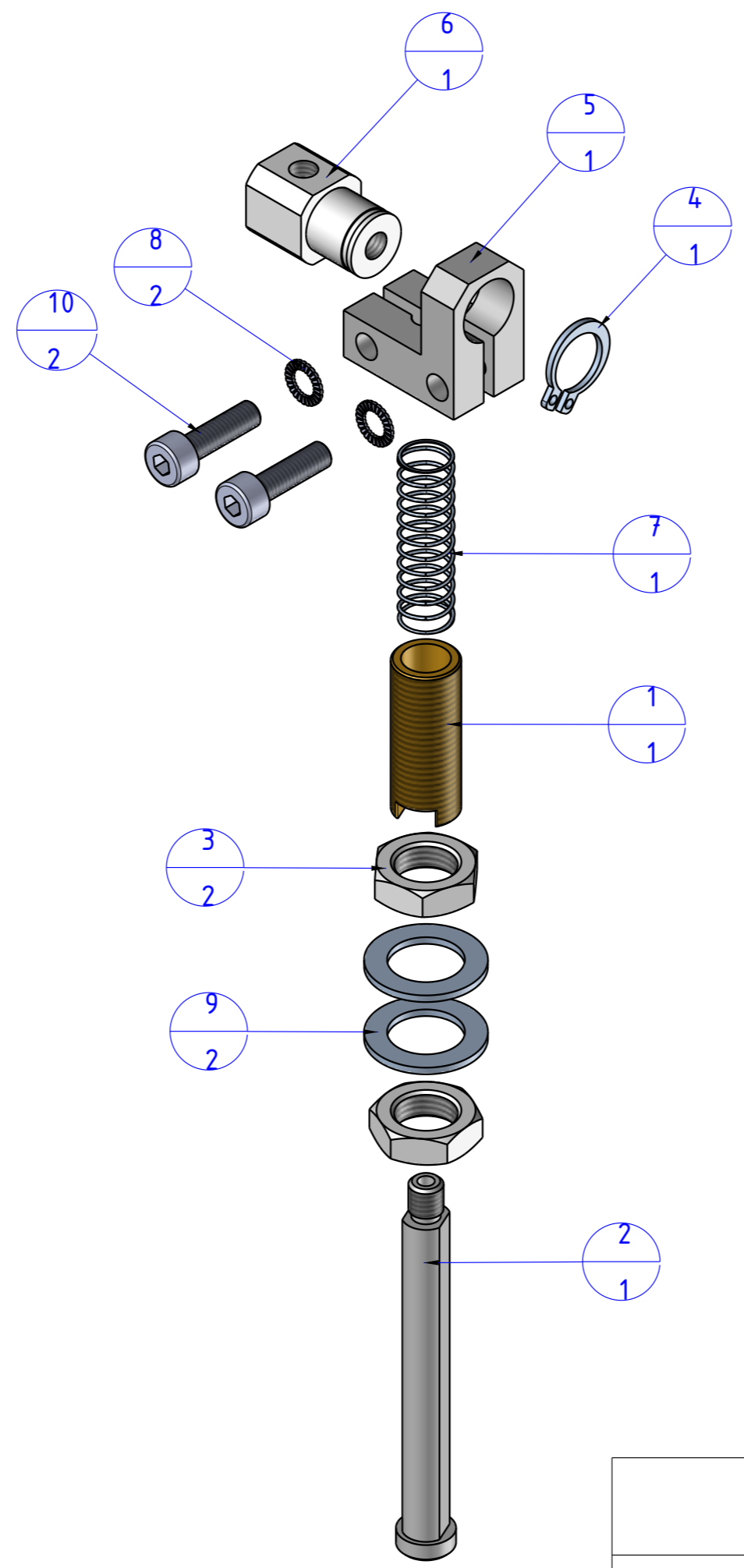

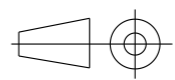


THE PROPERTY OF THE DRAWING IS ESTABLISHED BY LAW. IT IS FORBIDDEN TO PRODUCE OR SHOW IT TO THIRD PART. WITHOUT A WRITTEN AGREEMENT.

Item	Name	Q.ty
1	05.01.005.02	1
2	05.01.005.05	1
3	05.01.005.06	2
4	A.ELA10	1
5	GG.S.01.01	1
6	GG.S.02.01	1
7	M.8x35	1
8	R.4.SCH	2
9	R.10.SCH	2
10	V.TCE4x14	2



Format A3  
UNI 936-76

 <b>FPS</b> FPSERVICES AUTOMATION			DESIGNED FROM <b>FPS Automation</b>	REVIEW <b>A</b>
GENERAL TOLERANCE UNI - ISO 2768 CLASSE f	DESCRIPTION <b>CA.GGSM100520</b>		DATE -	WEIGHT <b>0,045kg</b>
			CODE <b>CA.GGSM100520</b>	